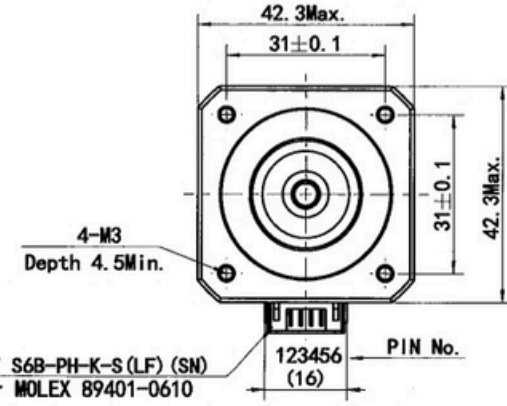
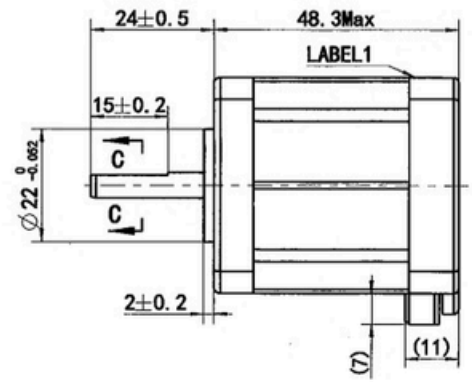
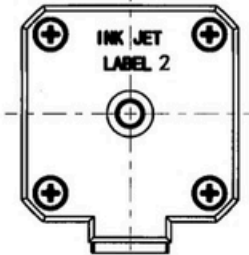
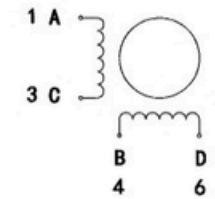


MS17HA6P4200



Wiring Diagram



Exciting Sequence vs. Direction of Rotation

STEP	A	B	C	D	CCW
1	+	+	-	-	↑
2	-	+	+	-	
3	-	-	+	+	
4	-	-	-	+	

Clockwise view from mounting side Label Detail 1

STEPPING MOTOR

Insulation: Class B, 60VDC Max.

2Amps Holding: 540 mNm

3000RPM Max.

RAIUS

UL FILE No. E465363 XXX

Factory ID

Label Detail 2

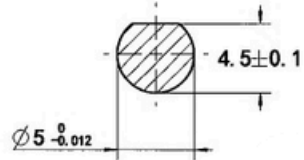
TYPE MS17HA6P4200

XXXXXXXX YY/MM/DD

Work Order Date Format

Specification	
1. Number of Phase	2
2. Step Angle	0.9°
3. Rated Voltage	2.5 V DC
4. Rated Current	2 Amp
5. Holding Torque	540 mNm Typ. (Two phase on/rated current)
6. Phase Resistance	1.25 ohm ±10% (20°C)
7. Phase Inductance	4 mH ±20% (1kHz 1V rms)
8. Rotor Inertia	82 gcm ²
9. Motor Weight	0.35 kg
10. Insulation Class	B (130°C)

C-C (3:1)



		Unit:mm		Approve			
		First angle method		Standardize			
		Tolerances for linear and angular dimensions without individual tolerance indications GB/T 1804-m eqv ISO 2768-1:m		Process Review			
		Geometrical tolerance for features without individual tolerance indications GB/T 1184-K eqv ISO 2768-2:K		Check			
A1 ECR23-317		2023.03.23		Design			
A0 Original revision		2017.01.04		NAMES		SIGNATURE	
REV. REVISION RECORD		DATE		UNLESS OTHERWISE SPECIFIED		DATE	

PIVEXIN TECHNOLOGY